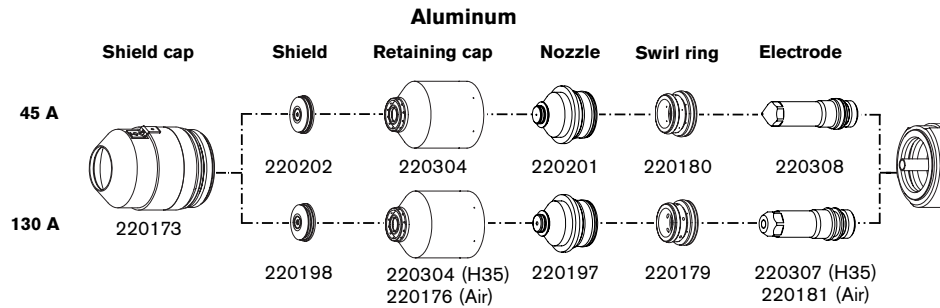
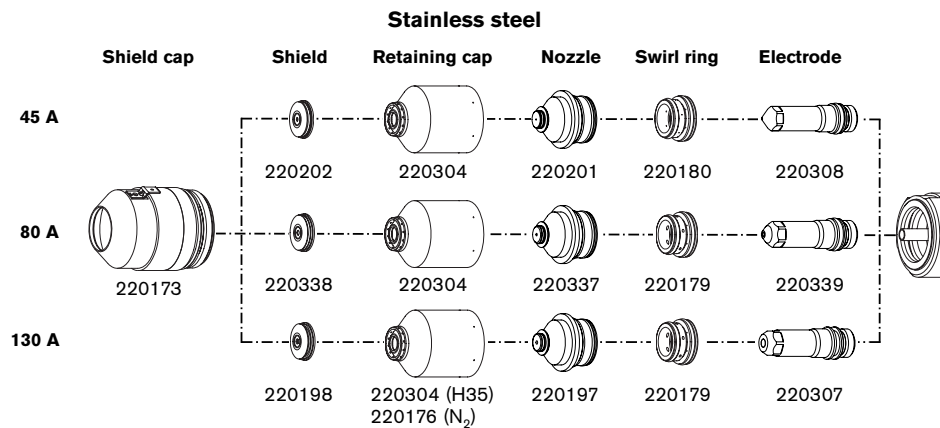
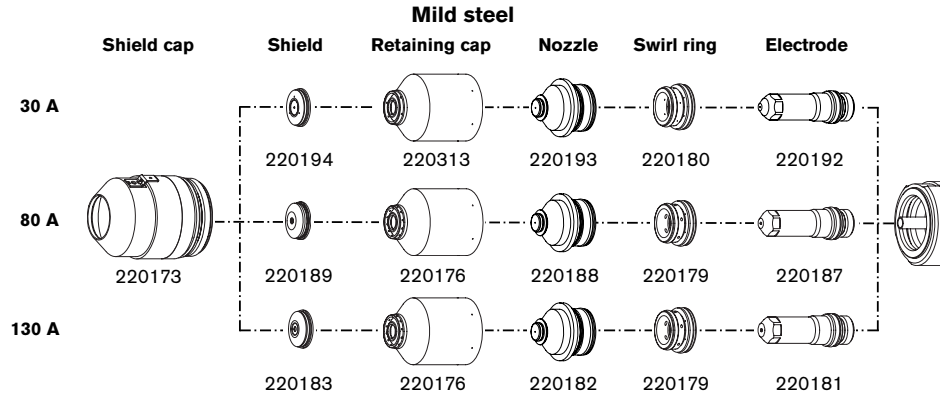


Hypertherm®

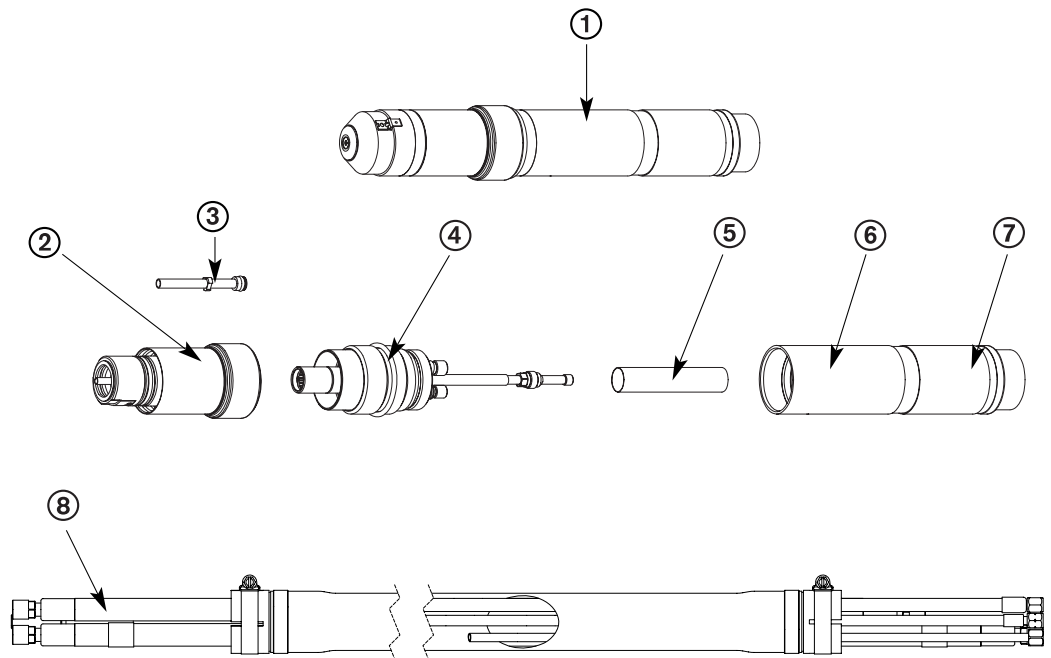
HyPerformance™ Plasma HPR130™

Consumables



MATERIAL	CONSUMABLE DESCRIPTION	130 AMPS	80 AMPS	45 AMPS	30 AMPS
Mild steel	Electrode	220181	220187	-----	220192
	Swirl ring	220179	220179	-----	220180
	Nozzle	220182	220188	-----	220193
	Inner retaining cap	220176	220176	-----	220313
	Shield	220183	220189	-----	220194
	Shield cap	220173	220173	-----	220173
Stainless steel	Electrode	220307	220339	220308	-----
	Swirl ring	220179	220179	220180	-----
	Nozzle	220197	220337	220201	-----
	Inner retaining cap	220304 (H35) 220176 (N ₂)	220304	220304	-----
	Shield	220198	220338	220202	-----
	Shield cap	220173	220173	220173	-----
Aluminum	Electrode	220307 (H35) 220181 (Air)	-----	220308	-----
	Swirl ring	220179	-----	220180	-----
	Nozzle	220197	-----	220201	-----
	Inner retaining cap	220304 (H35) 220176 (Air)	-----	220304	-----
	Shield	220198	-----	220202	-----
	Shield cap	220173	-----	220173	-----

HyPerformance Plasma HPR130 Torch Assembly



ITEM NO.	PART NO.	DESCRIPTION
1	128818	HPR130 torch assembly
2	220162	Quick-disconnect torch
3	220340	Water tube with O-Ring
4	220163	Quick-disconnect receptacle
5	024249	Insulating sleeve
6	220164	Torch mounting sleeve
7	220232	Torch mounting sleeve assembly (includes item number 8)
	128879	Torch kit: Bullet plugs, O-Rings, water tube and seal
	128880	Quick-disconnect kit: O-Ring and connector
8	128784	25' (7.5 m) Leads
8	128785	50' (15 m) Leads

Hypertherm and HyPerformance are trademarks of Hypertherm, Inc., and may be registered in the United States and/or other countries.

Hypertherm®

The world leader in
plasma cutting technology™

www.hypertherm.com

Hypertherm, Inc. USA 603-643-3441 Tel 603-643-5352 Fax consumable.info@hypertherm.com

Hypertherm Automation, LLC USA 603-298-7970 Tel 603-298-7977 Fax info@hyperthermautomation.com

Hypertherm Plasmatechnik, GmbH Deutschland 49 6181 58 2100 Tel 49 6181 58 2134 Fax

HTDeutschland.info@hypertherm.com

Hypertherm (S) Pte Ltd. Singapore 65 6 841 2489 Tel 65 6 841 2490 Fax

HTSingapore.info@hypertherm.com

Hypertherm UK, Ltd England 44 1928 579 074 Tel 44 1928 579 604 Fax HTUK.info@hypertherm.com

France 00 800 3324 9737 Tél 00 800 4973 7329 Fax HTFrance.info@hypertherm.com

Hypertherm S.r.l. Italia 39 02 725 46 312 Tel 39 02 725 46 400 Fax HTItalia.info@hypertherm.com

Hypertherm Europe B.V. Nederland 31 165 59 69 08 Tel 31 165 59 69 01 Fax

HTEurope.info@hypertherm.com

Japan 81 05 5975 7387 Tel 81 05 5975 7376 Fax HTJapan.info@hypertherm.com

Hypertherm Brasil Ltda. 55 21 2278 6162 Tel 55 21 2578 0947 Fax HTBrasil.info@hypertherm.com