

# Hypertherm®

## HD3070®

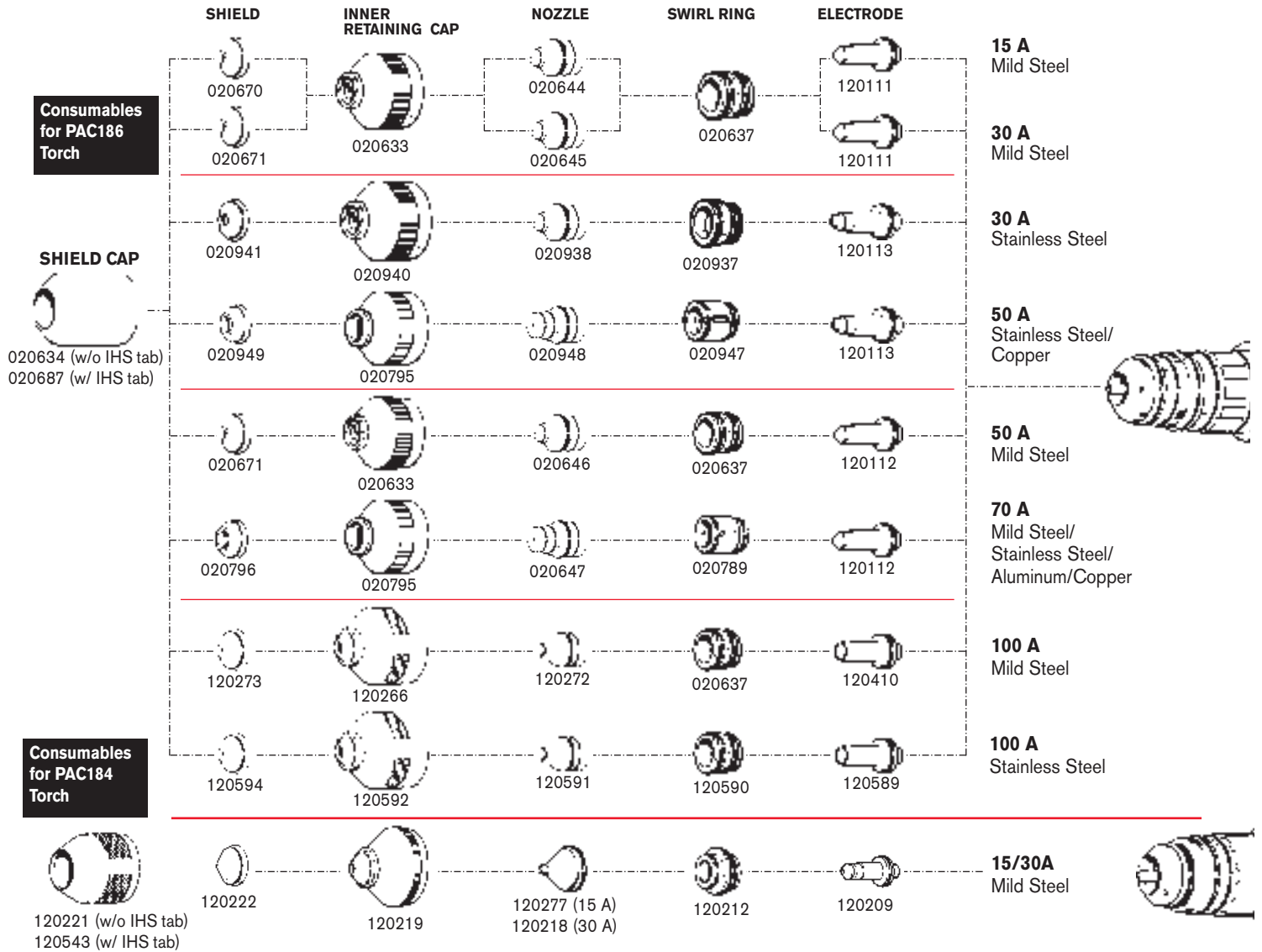
Torch Parts



*Genuine  
Hypertherm  
Consumables*

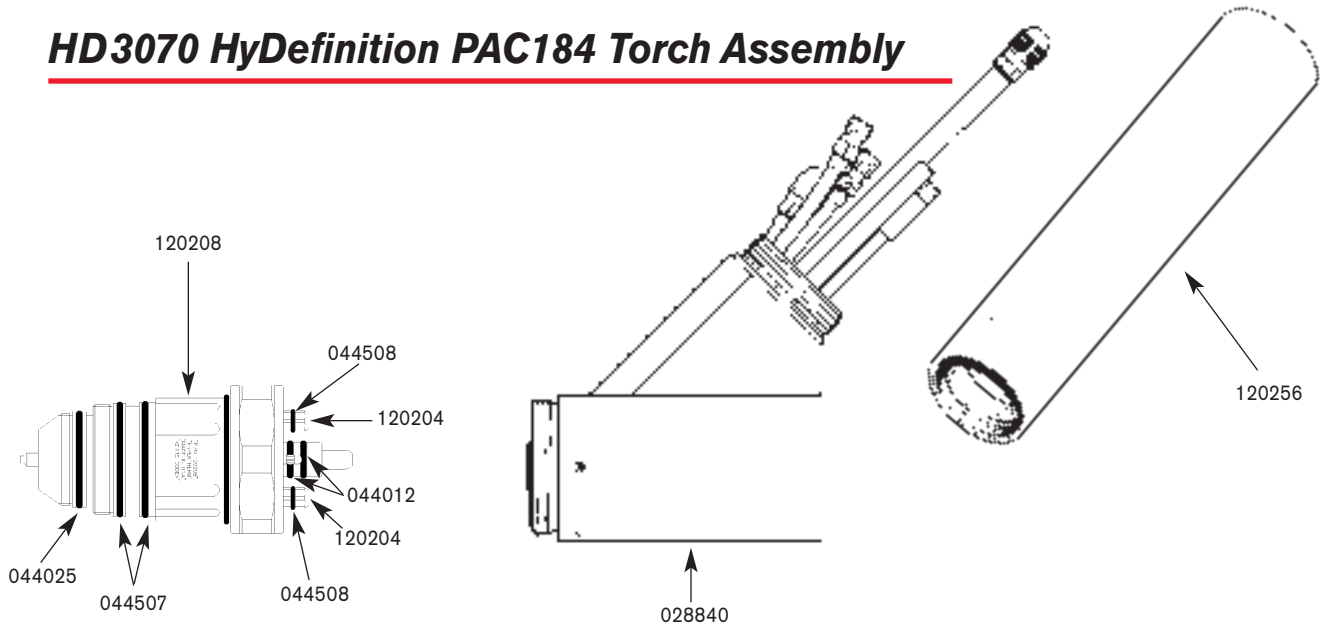
*The Only Way to Ensure Maximum Performance*

# HD3070 HyDefinition - Consumables

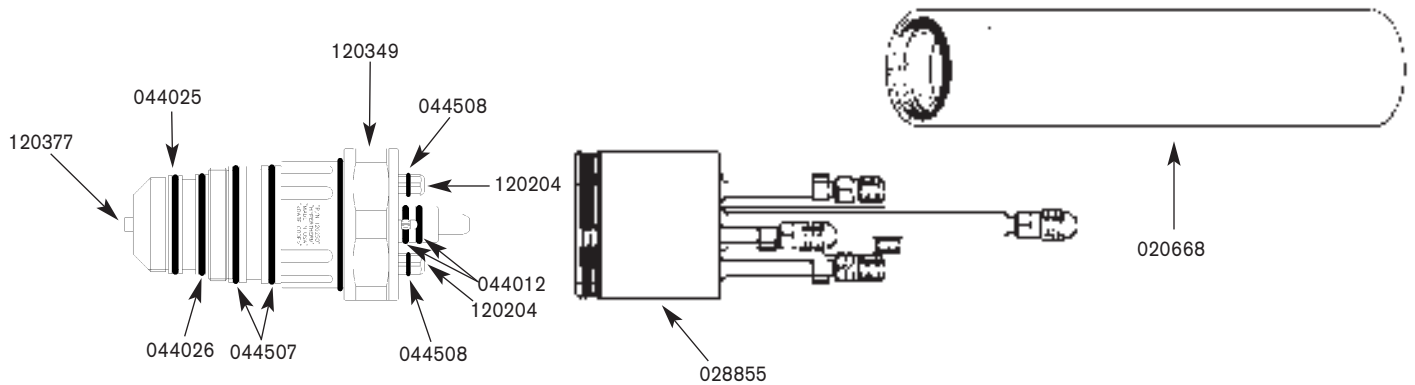


PART DESCRIPTION	PAC186 TORCH					PAC184 TORCH		
	15-AMP	30-AMP	50-AMP	70-AMP	100-AMP	15-AMP	30-AMP	
<b>Shield Caps</b> (to be used with all applications listed below)	With IHS Tab	020687	020687	020687	020687	020687	120543	120543
	Without IHS Tab	020634	020634	020634	020634	020634	120221	120221
<b>Mild Steel Cutting</b>	Electrode	120111	120111	120112	120112	120410	120209	120209
	Swirl Ring	020637	020637	020637	020789	020637	120212	120212
	Nozzle	020644	020645	020646	020647	120272	120277	120218
	Inner Retaining Cap	020633	020633	020633	020795	120266	120219	120219
	Shield/Shield Adapter	020670	120671	020671	020796	120273	120222	120222
<b>Stainless Steel Cutting</b>	Electrode	—	120113	120113	120112	120589	—	—
	Swirl Ring	—	020937	020947	020789	120590	—	—
	Nozzle	—	020938	020948	020647	120591	—	—
	Inner Retaining Cap	—	020940	020795	020795	120592	—	—
	Shield/Shield Adapter	—	120941	020949	020796	120594	—	—
<b>Aluminum Cutting</b>	Electrode	—	—	—	120112	—	—	—
	Swirl Ring	—	—	—	020789	—	—	—
	Nozzle	—	—	—	020647	—	—	—
	Inner Retaining Cap	—	—	—	020795	—	—	—
	Shield/Shield Adapter	—	—	—	020796	—	—	—

## ***HD3070 HyDefinition PAC184 Torch Assembly***



## ***HD3070 HyDefinition PAC186 Torch Assembly***



<b>PART NUMBER</b>	<b>DESCRIPTION</b>
120208	Torch Main Body, PAC184
120349	Torch Main Body, PAC186
120256	Sleeve, Mounting, PAC184
020668	Sleeve, Mounting, PAC186
044012	O-Ring, Buna, 70 Duro 0.364 x .070
044025	O-Ring, Buna, 1.176 x .070
044026	O-Ring, Buna, 70 Duro 1.239 x .070
044507	O-Ring, Buna, 70 Duro 1.424 x .070
044508	O-Ring, Buna, 70 Duro 0.216 x .053
028840	Assy, PAC184, 45° Torch Quick-Disconnect
028855	Assy, PAC185/186, Straight Quick Disconnect
120377	Tube, Water Electrode Cooling, PAC186
120204	Bullet Connector